

# Holyhead Towing

## Tough Dependable Workboats

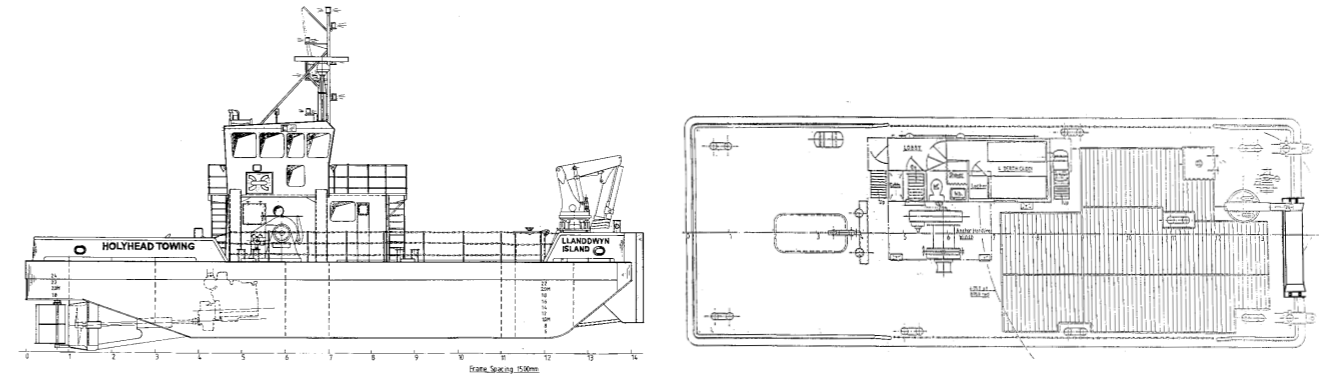
### Llanddwyn Island

Twin screw multicat type shallow draft coastal tug / workboat

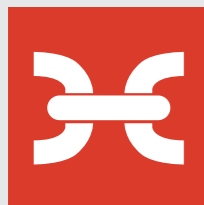


### Llanddwyn Island

Twin screw multicat type shallow draft coastal tug / workboat



<b>Built</b>	1994 - Holyhead Marine Services, UK	
<b>Classification</b>	Bureau Veritas I 3/3 (E) Pontoon coastal waters. UK MCA Workboat code of practice category 2, up to 60 miles from safe haven	
<b>Dimensions</b>	Length	21.5m
	Beam	7.8m
	Draft	2.0m
<b>Main Engines</b>	2 x Cummins K19M engines, total 940bhp at 1800rpm, driving through twin disc MG516 gearboxes, fitted with keel cooling and fixed nozzles	
<b>Bollard pull</b>	14 tonnes	
<b>Free running speed</b>	9 knots	
<b>Tank Capacities</b>	Fuel	85m <sup>3</sup>
	Fresh Water	39m <sup>3</sup>
<b>Navigation Aids</b>	Compass, autopilot, 2 x daylight viewing radars, echosounder, 2 x VHF radios, Navtex, GPS, electronic chart display, telephone, searchlights	
<b>Equipment</b>	65t/m hydraulic knuckleboom crane, capacities 13,500kg at 2.5m radius, 4270 at 8.95m radius with 3000kg winch, anchor handling winch, capacities 30 tonnes pull at 8.25m per minute, 15 tonnes pull at 16.5m per minute. GM3-71 90bhp hydraulic power pack, 40kva Cummines generator set, 5kva Lister generator set, fuel and fresh water supply systems, both at 50m <sup>3</sup> per hour, deckwash/GS pump 25m <sup>3</sup> per hour, 15 tonnes towing hook, 50 tonne bow roller, push bows, windlass, towing and anchor handling equipment, flying bridge control station, 30 tonnes demountable 'A' frame, 9 metre dredging and levelling plough	
<b>Accommodation</b>	For 4 crew	



#### Holyhead Towing Company Ltd

Newry Beach Yard, Holyhead, Anglesey LL65 1YB UK  
 t. +44 (0)1407 760111  
 f. +44 (0)1407 764531  
 w. www.holyheadtowing.co.uk  
 e. towing@holyhead.co.uk



#### Holyhead Towing Company Ltd

Newry Beach Yard, Holyhead, Anglesey LL65 1YB UK  
 t. +44 (0)1407 760111  
 f. +44 (0)1407 764531  
 w. www.holyheadtowing.co.uk  
 e. towing@holyhead.co.uk



Details believed to be correct at time of printing but not guaranteed.

HT\_Llanddwyn\_v1