

Holyhead Towing

Tough Dependable Workboats

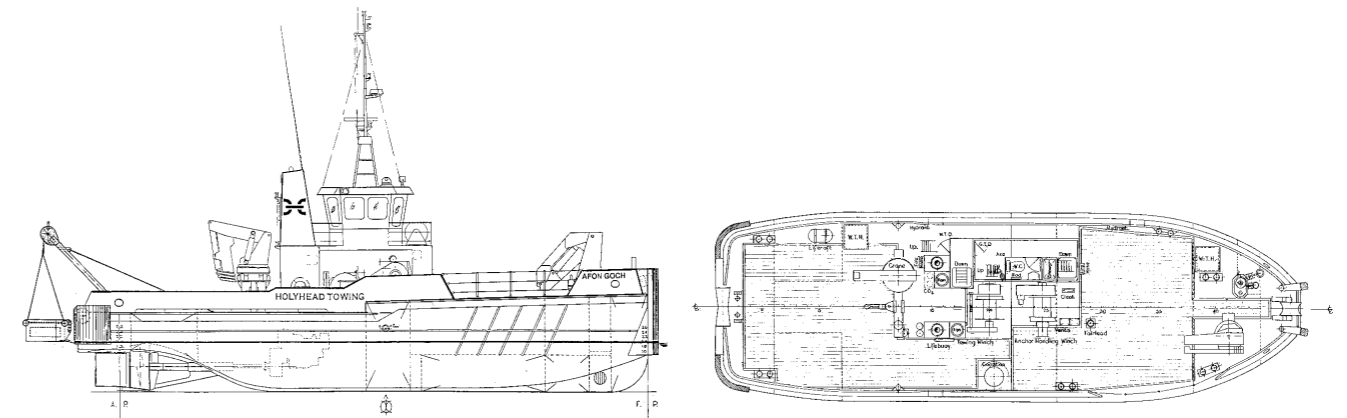
Afon Goch

Twin screw shallow draft seagoing multitug



Afon Goch

Twin screw shallow draft seagoing multitug



Built	1997 - Hepworth shipyard, UK	
Classification	Bureau Veritas I 3/3 (E) Tug Deep Sea. UK MCA Workboat code of practice category I, up to 150 miles from safe haven.	
Dimensions	Length	23.8m
	Beam	7.5m
	Draft	2.0m
Main Engines	2 x Caterpillar 3412DITA engines, total 1450bhp at 1800rpm, twin disc MG5202 gearboxes, fitted with box cooling and fixed Kort nozzles	
Bollard pull	19 tonnes	
Free running speed	11 knots	
Tank Capacities	Fuel	51m ³
	Fresh Water	90.3m ³
Navigation Aids	Compass, autopilot, 2 x daylight viewing radars, echosounder, 2 x VHF radios, SSB radio, Navtex, GPS, electronic chart display, GSM telephone, searchlights	
Equipment	High lift steering gear, 120bhp bowthruster, 80t/m knuckleboom crane capable of 15,800kg at 5m to 7,390kg at 10.2m. 34t/m knuckleboom crane capable of working over bow or stern, 4.1m to 3600kg at 9.3m, anchor handling winch capable of working over bow or stern, 45 tonnes pull at 8m per minute, 22.5 tonnes pull at 1.6m per minute, towing winch, wire capacity 270m of 36mm wire, capstan, windlass, Cummins 6BTA diesel hydraulic power pack 192bhp, 2 x Cummins 33kva generator sets, fuel supply system 50m ³ per hour, fresh water supply system 50m ³ per hour, 20 tonne towing hook, 50 tonne bow and stern rollers, 2 push bows, hardwood covered working decks, towing and anchor handling equipment, demountable 30 tonne 'A' frame, 9m dredging and levelling plough	
Accommodation	heated fitted for up to 6 persons	



Holyhead Towing Company Ltd

Newry Beach Yard, Holyhead, Anglesey LL65 1YB UK
 t. +44 (0)1407 760111
 f. +44 (0)1407 764531
 w. www.holyheadtowing.co.uk
 e. towing@holyhead.co.uk



Holyhead Towing Company Ltd

Newry Beach Yard, Holyhead, Anglesey LL65 1YB UK
 t. +44 (0)1407 760111
 f. +44 (0)1407 764531
 w. www.holyheadtowing.co.uk
 e. towing@holyhead.co.uk



Details believed to be correct at time of printing but not guaranteed.

HT_Goch_v1